

# MB-200 Swivel-Mount Installation

1. On the swivel base remove the required cable wiring knockout S2, S7 or S9 (Figure 2).
2. Select the mounting installation type as follows:

## Wall Mounting

- a. Secure CSMA to the wall through points (M1, M4) with the screw ST2 (see Figure 5).
- b. Insert external cable wiring through knockouts S2, S6 or S9 and extract them (including the tamper wires) through the Wire Passage(Figure 2).
- c. Secure swivel to the wall through holes S1, S3, S5 and S7 with the screw ST3 (see Figure 5).

## Swivel Conduit Mounting

- a. Choose the direction upon which to mount the CSMA according to the required diameter:  
16mm (0.63 inches) or 21 (0.83 inches).
- b. Insert conduit to the CSMA.
- c. Secure CSMA to the wall through points (M1, M4) with the screw ST2 (see Figure 5).
- d. Insert external cables and tamper wires from the conduit through the wire passage of the swivel (Figure 1).
- e. Secure swivel to the wall through holes S1, S3, S5 and S7 with the screw ST3 (see Figure 5).

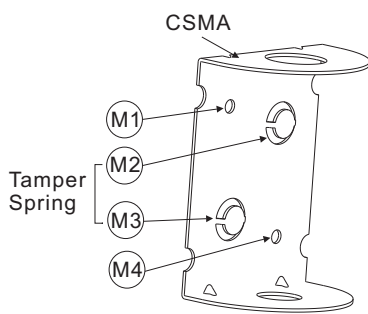


Figure 1

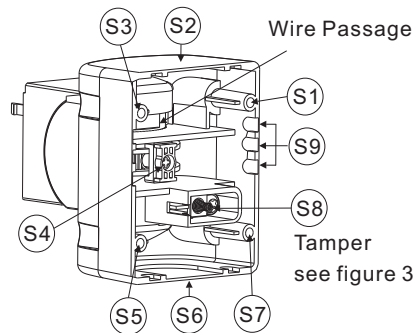


Figure 2

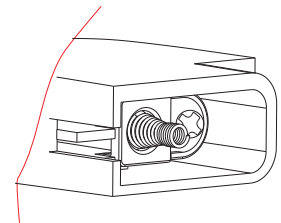


Figure 3

3. Insert tamper wires and external cable wiring from swivel wire passage through mounted-device's external base (Figure 2).
4. Connect the external base to the swivel using the temporary retaining snaps (Figure 4).  
Secure the external base to the swivel using the four connecting screws ST1 (Figure 5).  
After the angles are checked, please update the "NOTE" with the correct "degrees per click".

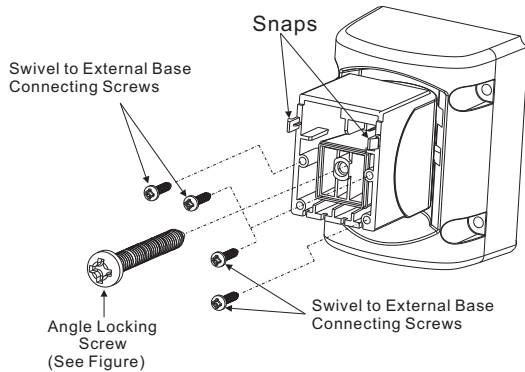


Figure 4

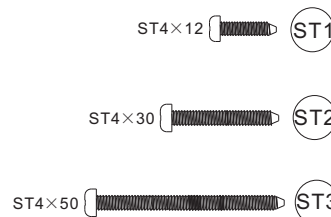


Figure 5

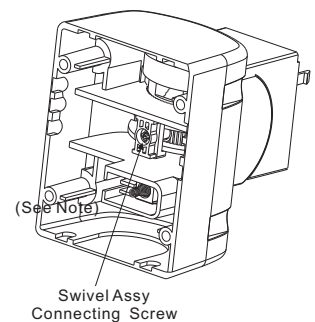


Figure 6

**NOTE:**  
Do not open or close the Swivel Assy Screw since it is used for connecting the swivel parts only.

5. Insert the supplied angle-locking screw from the external base through the angle-locking screw hole on the external base to the swivel(Figure 4).
6. Tilt and Rotate the Swivel to the desired position. Once the Swivel is in the desired position, secure the angle-locking screw.
7. To readjust the Swivel:
  - a. Use a Philips screwdriver to release the angle-locking screw (Figure 4).
  - b. Tilt and/or Rotate the Swivel to the desired position.
  - c. Secure the angle-locking screw.

**NOTE:**  
When marks on the two movable parts are aligned (Figure 4).the Swivel is in 0-degree vertical/horizontal position.  
Each click from this position represents shifting of 5-degrees in vertical / horizontal position..